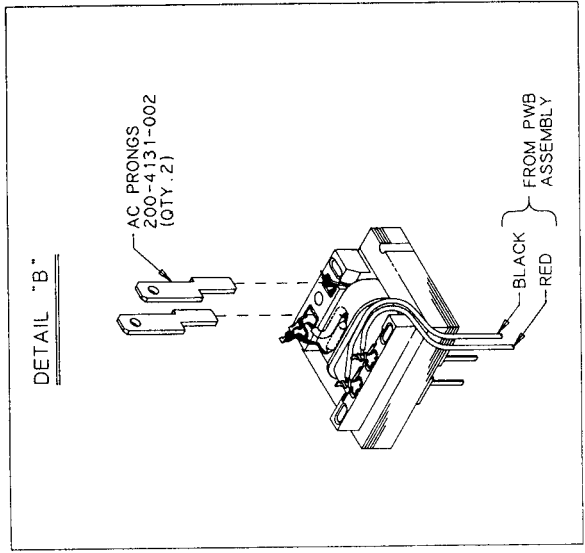
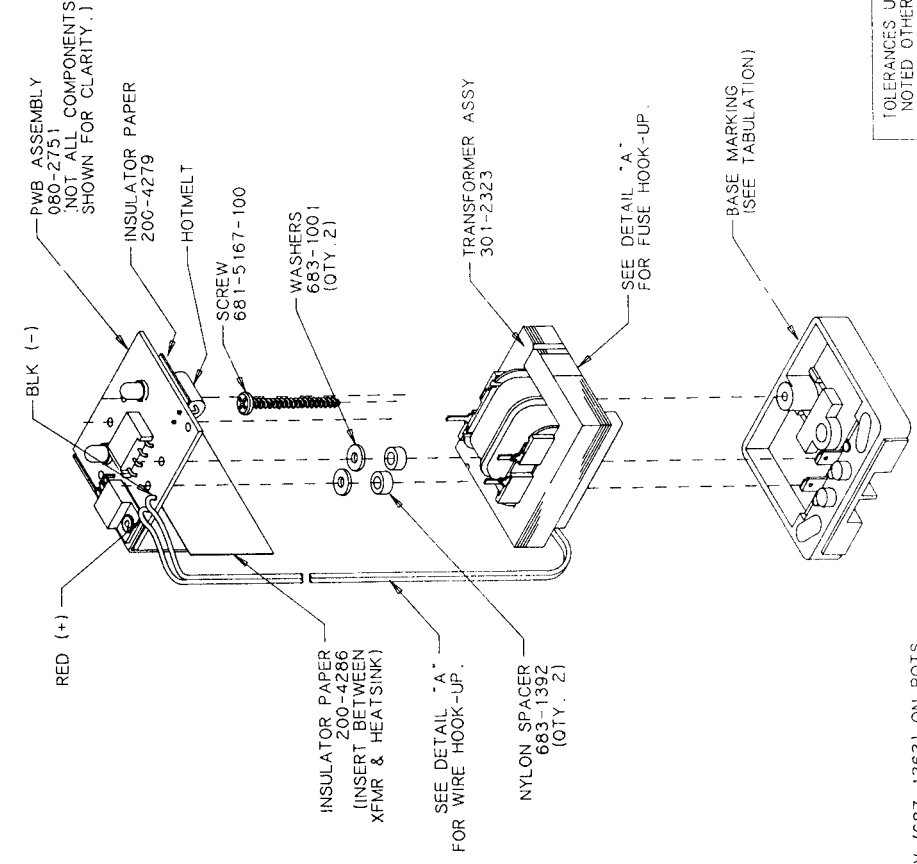
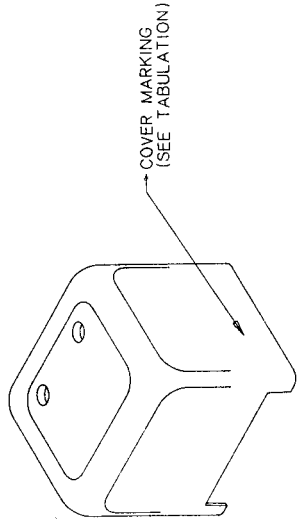


SUPPLEMENTARY INFORMATION

FIRST USED
NEXT ASSEMBLY

REVISIONS

REV	DESCRIPTION	DATE	APPROVAL
D	REVISE AND REDRAW	2-22-90	06014 CS
E	TRANSFORMER ASSY WAS 301-1658	7-30-90	06072 RJM
F	REVISE AND REDRAW BS & CVR MKG -02. -ON	3-19-91	16056 RJM
G	ADD -OP TO TABULATION	10-22-91	191025 JL
H	REVISE BOBBIN VIEW	5-15-95	56035 SK



UNIT PART NUMBER	REV	BASE MARKING	COVER MARKING
3VA-06030-00	0	150-4243	150-4273
3VA-06030-02	P	150-4416	150-4415
3VA-06030-07	K	150-4252	150-4273
3VA-06030-0N	E	150-4414	150-4415
3VA-06030-0P	B	150-4575	150-4583

BATTERY CHARGER FINAL ASS'Y



AULT INCORPORATED
MINNEAPOLIS, MINNESOTA

TOLERANCES UNLESS NOTED OTHERWISE	DRAWN BY	R. MOE	4-6-88
.X ± .020	DRAFTING		
.XX ± .010	MATL & FIN		
.XXX ± .005	DESIGNER		
ANGLES ±0°30'	DESIGN		
	APPROVED	RJM	5-2-88

SIZE	DRAWING NO.	REV	ISS
C	3VA-06030-0X	H	

1. APPLY RTV (687-1262) ON POTS PRIOR TO ADJUSTMENT.